

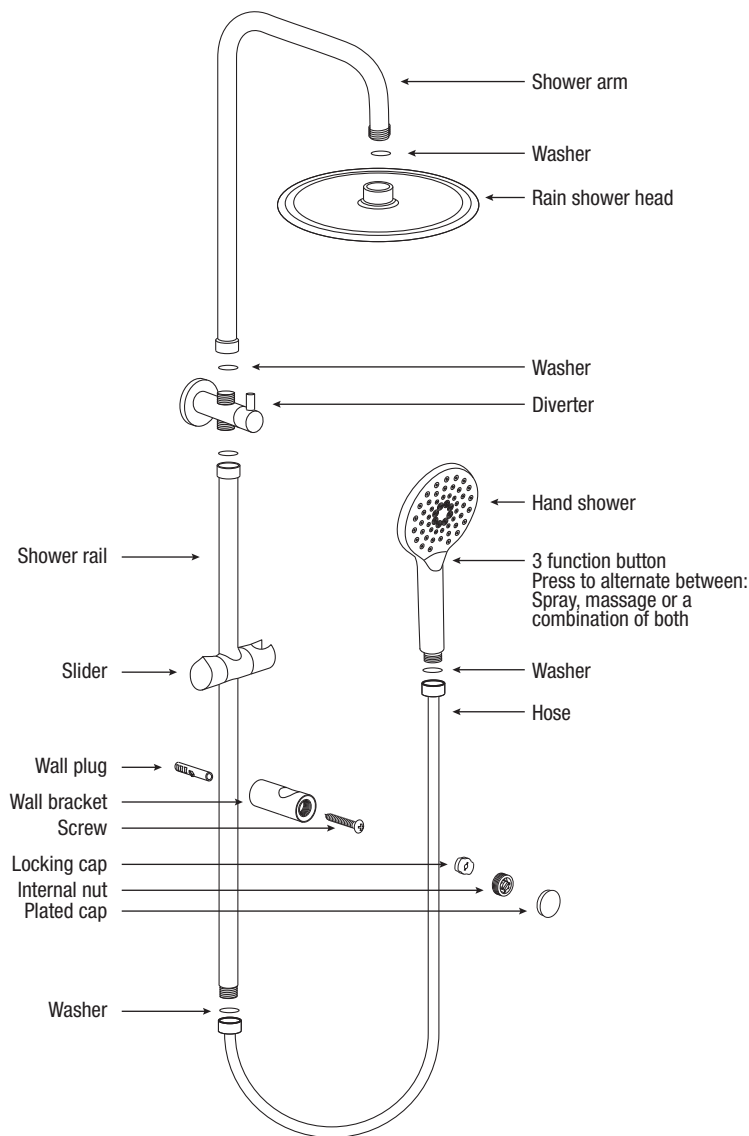
FIX-A-SHOWER.

AYLA SHOWER COLUMN KIT CHROME

INSTALLATION INSTRUCTIONS

STEP-BY-STEP INSTRUCTIONS OVERLEAF

COMPONENTS



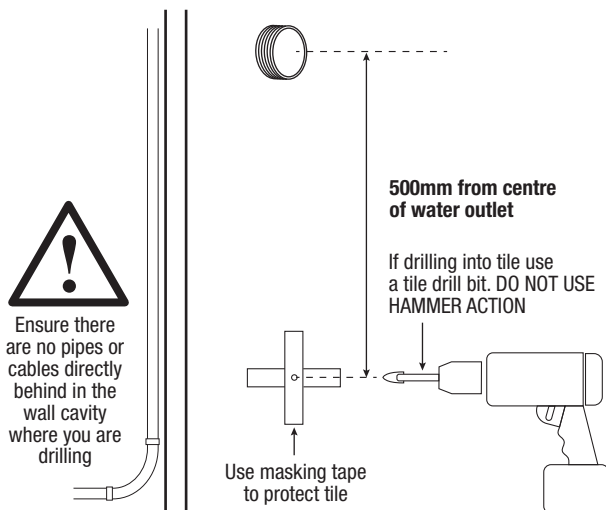
**3 FUNCTION HANDSET WITH
OVERHEAD RAIN SHOWER**

We recommend installation by a licensed plumber



INSTALLATION

1 DRILL HOLE FOR BRACKET (NOTE: IF YOU ARE RETRO FITTING THIS SHOWER, USE THE EXISTING HOLE)

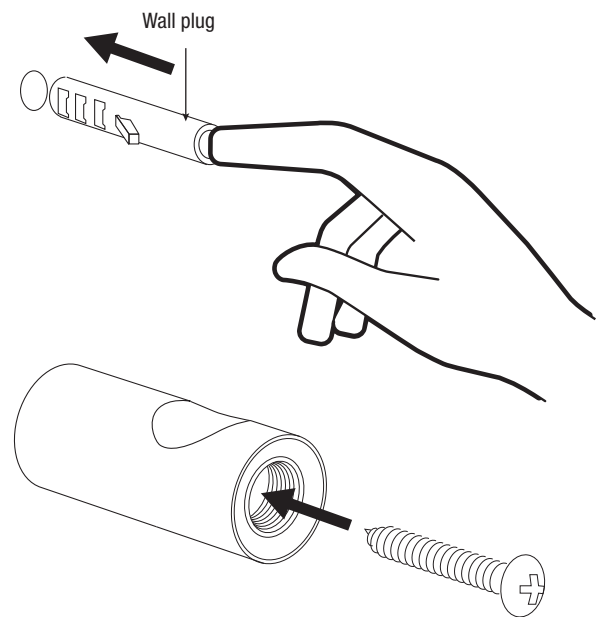


Ensure shower taps are turned off. Unscrew and remove existing shower rail and hose. Use a tape measure to measure 500mm from the centre of the water outlet to where to drill a hole for the anchor bracket.

If you are drilling into tile, make sure you use a sharp tile drill bit that matches the diameter of the wall plug and drill to a depth of 30mm. To avoid cracking the tile, apply an even, firm pressure as you drill.

Please note: if you are drilling a fresh hole into a studed plaster board wall, you may need to use an alternative wall anchor and select a drill size accordingly.

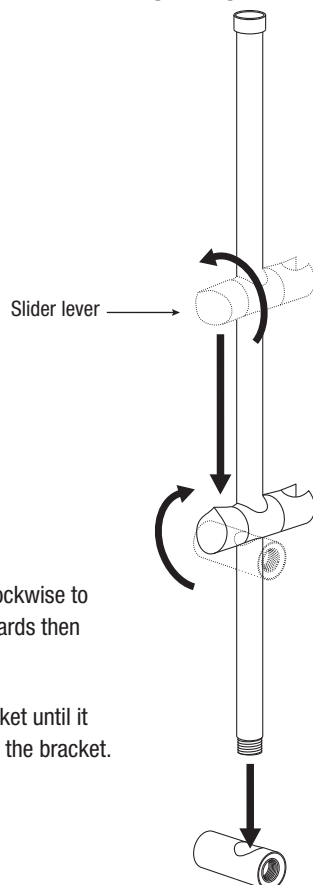
2 ATTACH BRACKET



Push the wall plug all the way into the hole.

Insert the screw into the wall bracket and line up with the plugged hole and using a phillips head screw driver, turn the screw clockwise until the bracket is firm to the wall. Be careful not to over-tighten the screw.

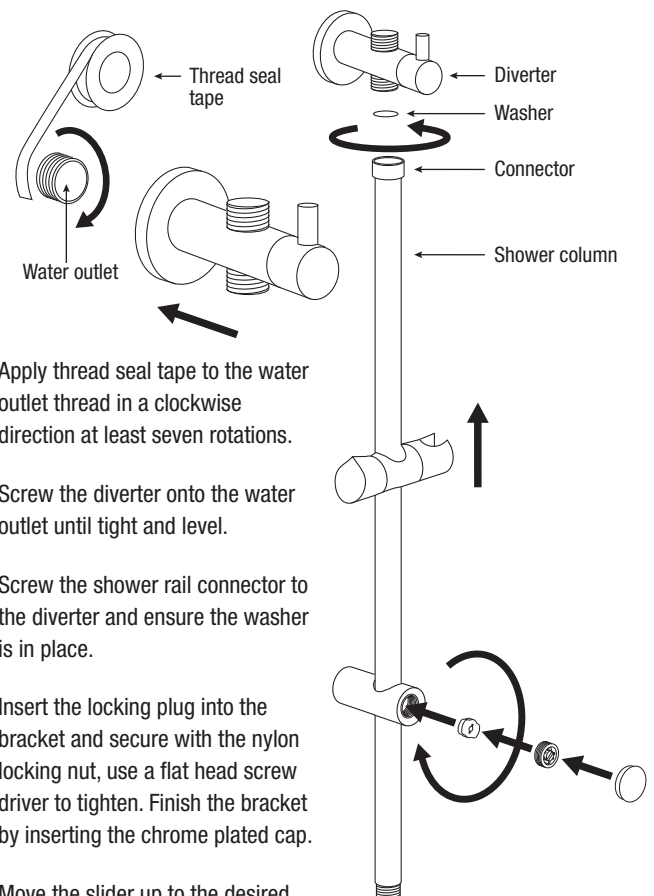
3 INSERT SHOWER COLUMN RAIL INTO BRACKET



Turn the lever on the slider anti-clockwise to unlock and slide the slider downwards then lock in place.

Insert the shower rail into the bracket until it meets the slider. Allow it to rest on the bracket.

4 ATTACH TO DIVERTER



Apply thread seal tape to the water outlet thread in a clockwise direction at least seven rotations.

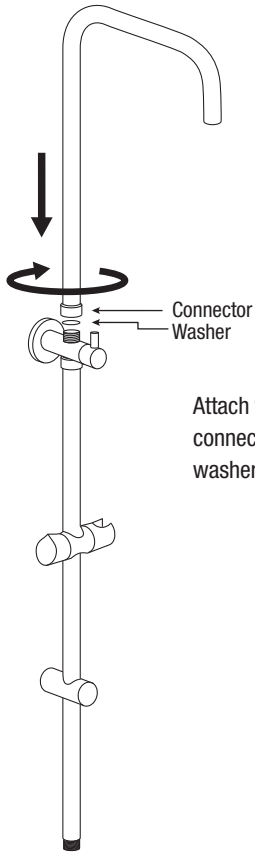
Screw the diverter onto the water outlet until tight and level.

Screw the shower rail connector to the diverter and ensure the washer is in place.

Insert the locking plug into the bracket and secure with the nylon locking nut, use a flat head screw driver to tighten. Finish the bracket by inserting the chrome plated cap.

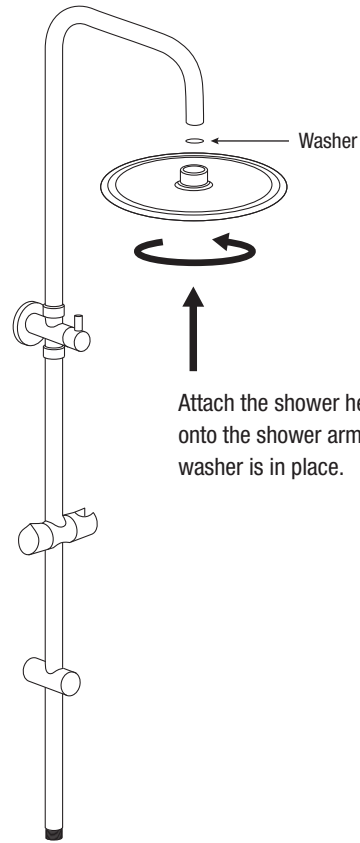
Move the slider up to the desired position.

5 ATTACH SHOWER ARM



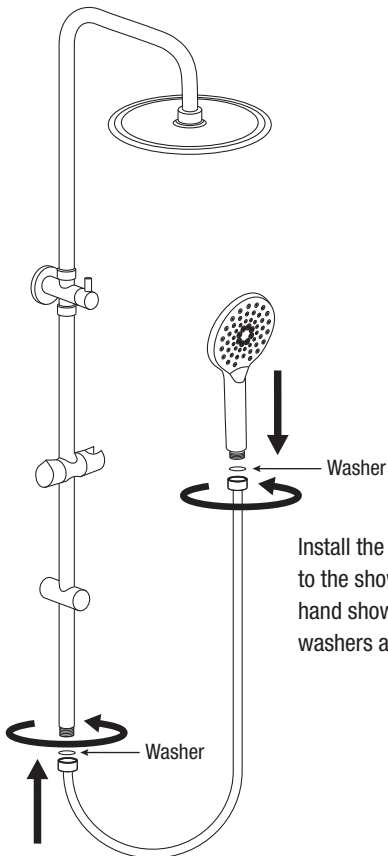
Attach the shower arm by screwing the connector to the diverter. Ensure the washer is in place

6 ATTACH RAIN SHOWER HEAD



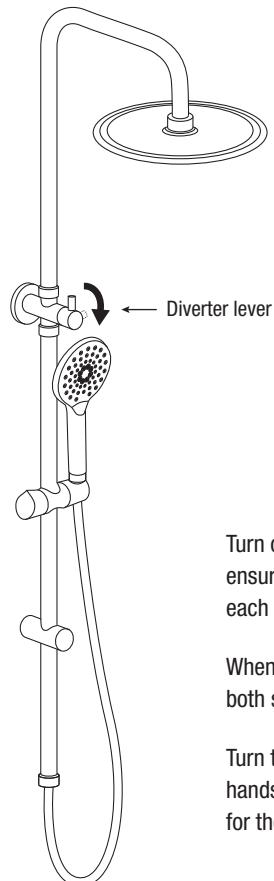
Attach the shower head by screwing onto the shower arm. Make sure the washer is in place.

7 INSTALL HAND SHOWER



Install the shower hose to the shower rail and the hand shower head, ensuring washers are in place.

8 CHECK OPERATION



Turn on the water at the tap and ensure that there are no leaks at each connection.

When the diverter lever is vertical, both shower heads are off.

Turn the lever 90° clockwise for the handshower; turn 90° anti-clockwise for the rain shower head.

WARRANTY

10 YEAR WARRANTY

This warranty runs for ten years from the date of purchase. Our products come with guarantees that cannot be excluded under the Australian Consumer Law. You are entitled to a replacement or refund for a major failure and for compensation for any other loss or damage. You are also entitled to have the goods repaired if the goods fail to be of acceptable quality and the failure does not amount to a major failure.

WHAT IS COVERED

This warranty covers any defects in materials or workmanship with the exception of the following reasons. The warranty covers the product used in normal domestic use.

WHAT IS NOT COVERED

This warranty does not cover wear and tear to working parts, misuse or abuse, or discolourations due to exposure to cleaning chemicals. The warranty does not cover the rubber components. These components are covered by a 10 month warranty and should be replaced as they wear out. We recommend installation by a licensed plumber. Warranty may be void if the product is incorrectly installed.

CLAIM PROCEDURE

If you believe that you have a legitimate claim with your Ayla Shower Column Kit, please contact FIX-A-TAP® Australia via our website at www.fixatap.com.au/warranty to complete the warranty form.

Alternatively you can contact our office on (02) 9476 7400. Any written correspondence should be sent to: FIX-A-TAP® Australia, PO Box 200, Wahroonga NSW 2076 Australia. Please keep your receipt for proof of purchase.



CAUTION: DRILLING INTO TILES OR WALLS

FIX-A-TAP® highly recommends that any drilling into tiles or walls, is undertaken by an insured and licensed professional. FIX-A-TAP accepts no responsibility for damage to tiles, walls, pipes or electrical cables.

OPERATIONAL TEMPERATURE

Hot: Max 50°C. Cold: Min 10°C



Backflow prevention must comply with AS/NZS 3500.1 requirements. To ensure compliance and a correct installation, we recommend using a licensed plumber.

Some showers may not be suitable for <150kPa or gravity fed showers with flow rates of less than 9Lpm.

FIX-A-TAP®
AUSTRALIA PTY LTD
The Ultimate Plumbing Solution
PO Box 200 Wahroonga
NSW Australia 2076
www.fixatap.com.au

© Copyright FIX-A-TAP® 2023
Made in China



PlumbConnect

To find a plumber in your area, consult our PlumbConnect Registry with this QR code.

