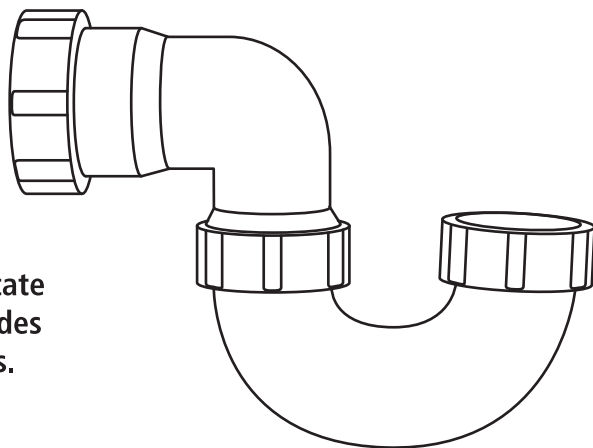


FIX-A-TAP®



SHORT INLET P TRAP 50MM

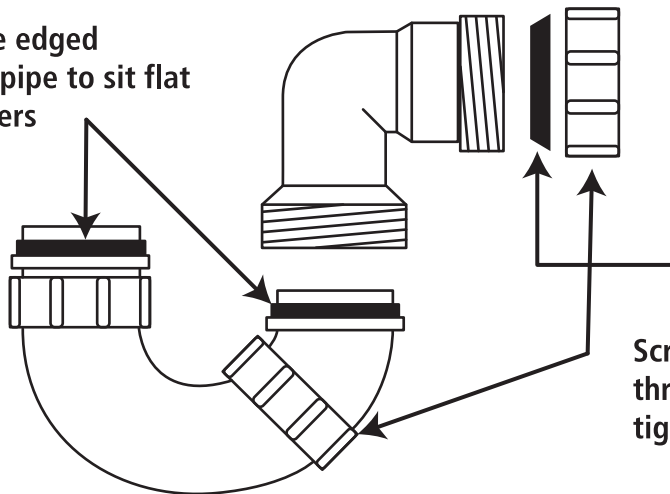
Assemble as per diagram. Product to be installed by a licenced plumber in accordance with local, state and national building codes and regulatory standards.



WaterMark
AS2887
WMK26573
SAI GLOBAL

ASSEMBLY INSTRUCTIONS

Stretch square edged washers over pipe to sit flat on the shoulders



Insert tapered washer into the chamfered end for 50mm waste pipes

Screw nuts over thread and hand tighten



For more information on recycling visit arl.org.au



A family owned Australian business

Quality Assured Products
FIX-A-TAP has been providing Australians with quality plumbing products since 1972.



FIX-A-TAP®
AUSTRALIA PTY LTD
The Ultimate Plumbing Solution
PO Box 200 Wahroonga
NSW Australia 2076
www.fixatap.com.au
Made in China



9 312232 216427 >