

HYGENIX CISTERN WITH SEAT & LINK

IMPORTANT INFORMATION

We recommend installation by a licensed plumber. Consult our Plumbers Directory online at <https://fixatap.com.au/find-a-plumber> or via the QR code:

Ensure the backflow prevention complies with AS/NZS 3500.1 requirements. See fully labelled diagram, and read through all instructions prior to installing.

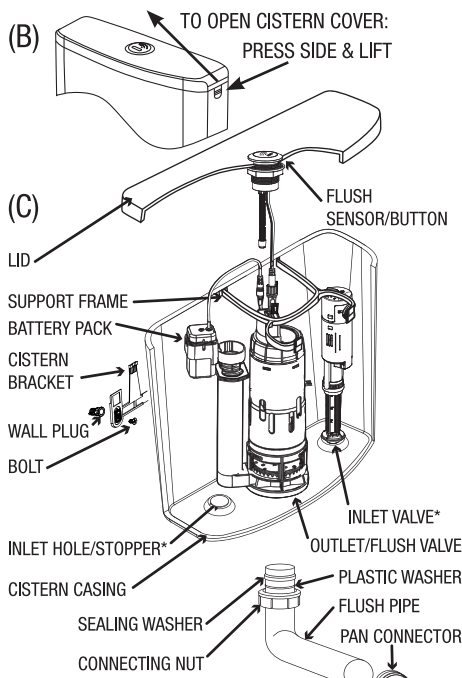


WELS Lic. 0128,
5.8L Full Flush,
3L Half Flush,
Average Flush 3.6L,
3 Stars.

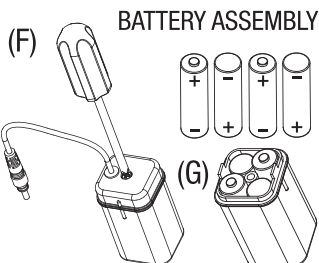
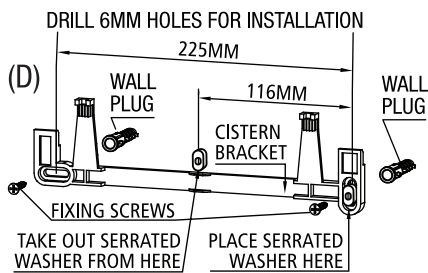


Do not use corrosive detergents or solvents containing chlorine or hypochlorite on the tank. Using these liquids can seriously damage the tank and its accessories, which may lead to leakage. Do not allow the electrical components to make contact with water as this may cause the valve to malfunction. Water pressure range: 0.02MPa - 0.8MPa. Working temperature range: 2°C to 45°C. Do not expose to hot objects.

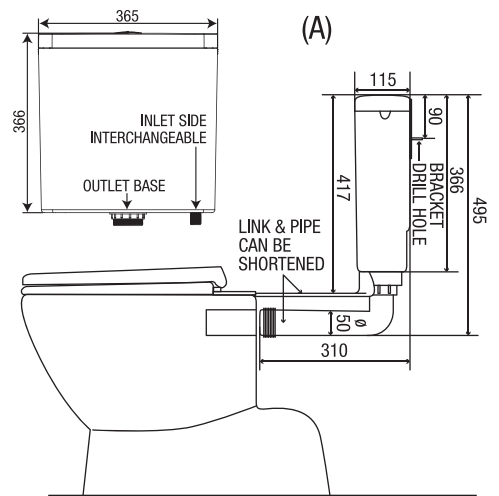
INSTALLATION INSTRUCTIONS



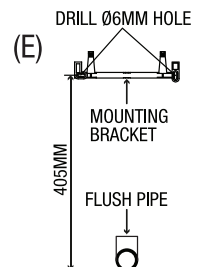
*INLET VALVE & STOPPER CAN BE SWITCHED TO THE MOST CONVENIENT SIDE TO SUIT THE MINI TAP LOCATION



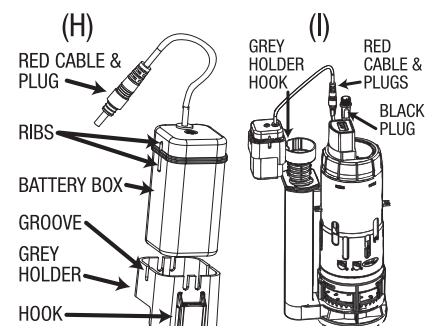
- Note cistern measurements in the diagram to the right, and establish where to hang your cistern. The flush pipe can be cut to suit your pan fitting (A).
- To open the cistern cover, press the button on the side of the cover and push up (B). Unscrew the black nut attaching the sensor button to the outlet valve so that the lid can be fully removed without pulling on the cables.
- Attach the flush pipe in the horizontal position. Place the pan connector onto the end of the flush pipe, and insert into the back of the pan. If the flush pipe is too long, cut it to the correct size before inserting it into the pan (A & C).
- To attach the cistern to the wall, establish the desired height (noting that there is approx. 27.5cm from the drill holes to the base of the cistern). Drill 6mm holes, then insert the wall plugs and attach the mounting bracket using the fixing screws and serrated washer (D & E).
- Connect nut and washers to the flush pipe (C).



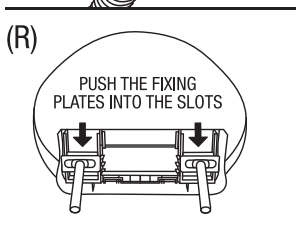
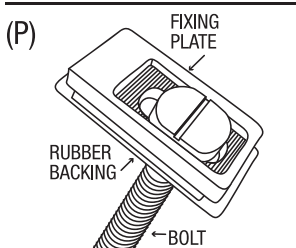
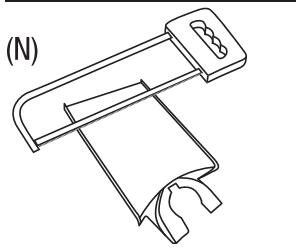
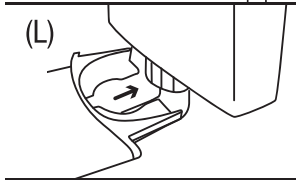
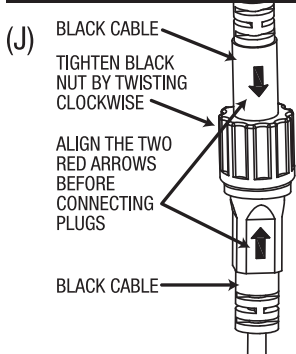
- Hang the cistern securely onto the mounting rack and push the flush pipe into the base of the outlet valve within the cistern. The cistern can be levelled by adjusting the position of the mounting rack.
- Within the cistern, install the batteries in the battery pack by unscrewing the lid of the battery box with a Phillips head screw driver (F). Insert 4 new high-performance AA alkaline batteries. The negative poles (-) must face the springs (G). Align the lid with the rib line on side of battery box, then tightly screw on the battery pack lid (H).
- The battery box comes with a grey holder around the outside of the battery box. Ensure that the rib and groove line up on the holder and battery box (I).



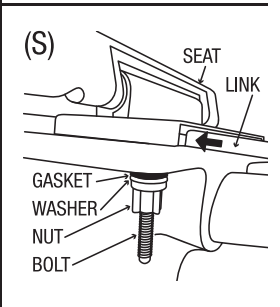
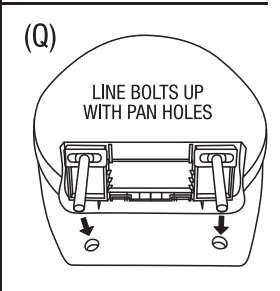
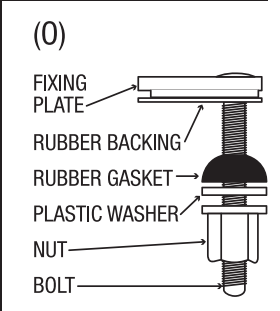
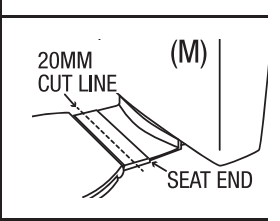
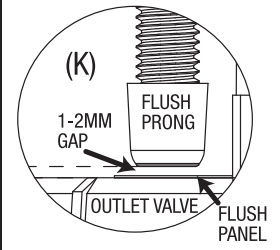
- Fix the battery box by hooking on top of the overflow pipe (I). **WARNING:** Do not allow battery box to float in the cistern tank water. The battery box must be hooked on the overflow pipe.
- Tightly push the two red plugs together to connect the battery pack to the outlet valve. This will supply the power for the sensor to operate (I).



INSTALLATION INSTRUCTIONS CONTINUED



11. Connect the sensor button black cable to the black plug on the outlet valve. To securely tighten the black plugs, align the arrows on the plugs, push towards each other to connect, then tightly fasten the black nut by twisting clockwise (J). These need to be connected securely and the black nut must be tightly fastened. Do not pull on the cables.
12. Check that the flush prong is lining up with the flush panel on the outlet valve, then tighten the nut of the sensor button (underneath the lid) to keep in position. The prong should sit approximately 1-2mm above the panel (K).
13. Fit the cistern lid, test sensor button by waving hand within 20cm of the sensor for a half flush, and holding hand above the sensor for a full flush. Test manual flush button and check for leaks.
14. With the cistern correctly positioned, press the link into place around the outside of the nut. The link should sit flush with the base of the cistern (L).
15. Place the toilet seat temporarily in the correct position and mark the desired placement on the link piece. The link piece should extend 20mm under the end of the seat. This helps to hold the seat and link piece in place (M).
16. Remove the link piece and cut off the excess if required (N).
17. To install the toilet seat, locate the supplied toilet seat fixing kit bag inside the box. Undo the nut, washer and gasket from the fixing bolt (O).
18. Add the bolts to the fixing plates, with the sides of the bolt heads resting within the grooves on the fixing plates (P).
19. Align the bolts and fixing plates with the toilet seat guiding slots and pan holes (Q).
20. Push the fixing plates into the toilet seat guiding slots to line up the seat with your pan (R).
21. Lower the hinge plate slowly onto the pan, ensuring that the bolts go through the holes in the pan. Underneath the pan, add the rubber gasket (rounded side up), plastic washer and loosely attach the nuts (do not tighten) (S).
22. Push the link piece back into place (repeat step 14). Slot the link piece into the toilet seat (following the guiding channel in the seat hinge plate) (S).
23. Ensure the seat and link are straight and correctly aligned to the toilet pan, then tighten the seat bolt nuts.



IMPORTANT: If you change the settings, please note the following critical line rules:

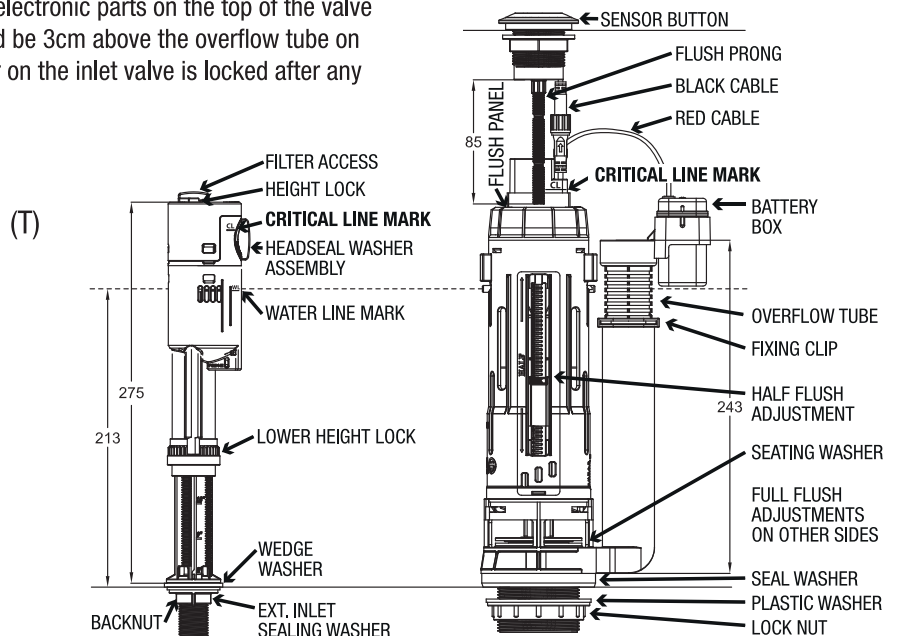
The measurements given in image (T) indicate how the cistern should arrive. Note the Critical Lines (marked CL on the valves). The overflow tube on the outlet valve must be set up 1.5cm below the CL marked on the outlet valve to prevent the electronic parts on the top of the valve touching water. The CL marked on the inlet valve should be 3cm above the overflow tube on the outlet valve. Always ensure that the red height lever on the inlet valve is locked after any height adjustment.

Refer overleaf if troubleshooting is required.

Visit our website:

www.fixatap.com.au

(or scan QR code) to see the sensor button in use.



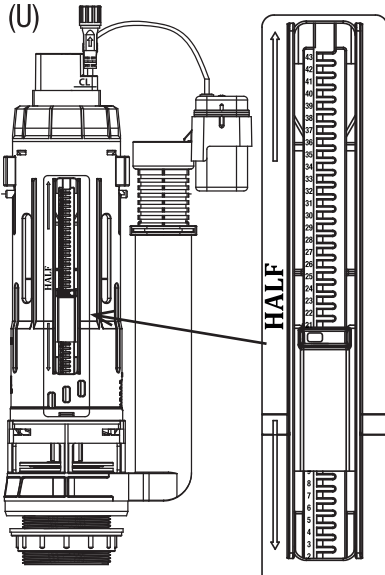
WATER ADJUSTMENT

Your cistern should arrive with the outlet valve set to 6L full flush, 3L half flush.

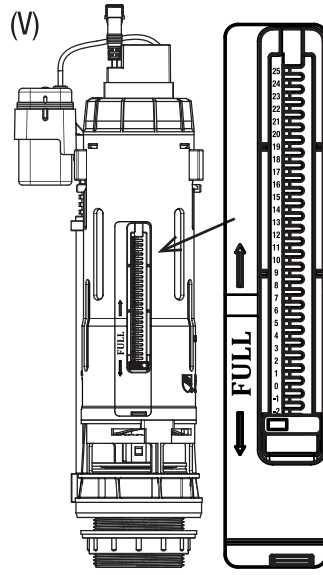
For a 3L half flush, the setting should be digit 21. If the slider is higher, less water will be released during a flush (U).

For a 6 litre full flush, the large Full Flush Adjustment should be set to digit -2. To change to a 4.5L full flush, slide the red lock over to the right. The setting can now be moved up to digit 2 to achieve a 4.5L full flush. When at the correct setting, push the red lock to the left to ensure that the setting is locked into place (V).

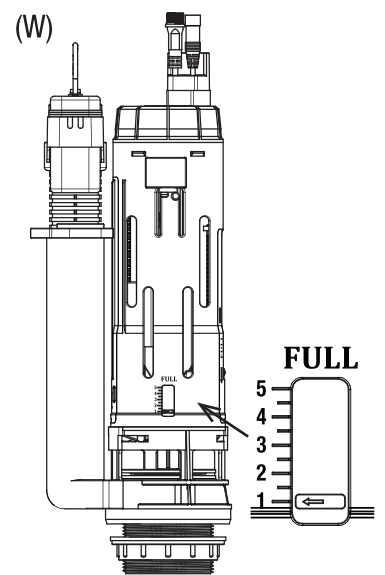
For both a 4.5L and 6L full flush, the small Full Flush Adjustment should remain at digit 1 (W).



For 3L Half Flush, set the Half Flush Adj. to 21. If the slider is higher, less water will be released.



For 6L full flush, set the large Full Flush Adj. to digit -2. For 4.5L full flush, set to digit 2.



The small Full Flush Adj. should remain at 1

TROUBLE SHOOTING

ISSUE	TROUBLESHOOTING SUGGESTIONS
The inlet valve is on the wrong side for your mini tap	The cistern base has holes in both sides. To switch sides, remove the inlet stopper, uninstall the inlet valve and reinstall both on opposite sides. Ensure that the inlet stopper and inlet valve are properly secured to prevent leakage of water.
The water level in the cistern is too high or too low	The water level can be varied by adjusting the float level on the inlet valve. The inlet valve has a red lock lever on the top of the valve. Unlock and pull/push the valve to the correct position, then relock. Ensure the critical line on the inlet valve is 3cm above the overflow tube on the outlet valve.
Inlet valve fails to access water or water intake is slow	Ensure mini cistern tap and water source are fully turned on. If water is still not accessible, clean the filter located at the top of the valve. This can be accessed by twisting the orange filter cap anti-clockwise. Once opened, the white filter can be removed and cleaned. Reinsert with the oval shaped screen at the lower end, faced towards the headseal assembly. Screw on the filter cap and check for leaks.
External cistern leakage	Check both inlet and outlet valves are connected properly and tightened. Check that the wedge washers are sealing. Replace the wedge washer if required. Ensure that the water connector is in good condition and is adequately tightened.
Water continuously running into the pan	Check critical line of inlet valve, ensure that the critical line is always approximately 3cm above the overflow tube of the outlet valve. Check button flush prong is in the correct position and is not too long. Check that the seating washer is pushing against the base of the outlet valve. If problem persists, remove outlet valve and rinse thoroughly to clear any debris. Replace seating washer (see instructions overleaf), and sealing washer if required. Reinstall.
Inadequate draining when the button is pressed	The button prongs may be too short. Lengthen the prongs by unscrewing slightly to reduce the amount of thread in the button. Check that your water adjustment settings are correct. Replace the seating washer if necessary.
Water released is insufficient or excessive	Remove the outlet valve by twisting the body until it releases from the base, then adjust the full & half flush as per the water adjustment settings above.
The button is not working correctly	Replace the batteries, ensure that the cables are all tightly connected (black plug to black plug, red plug to red plug), ensure that the button prong is correctly lined up with the manual flush panel.

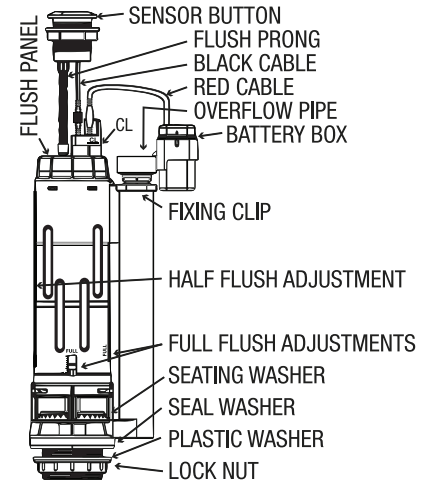
MAINTENANCE - SEATING WASHER REPLACEMENT (OUTLET VALVE)

Turn off water, flush toilet, and open the cistern lid. Unscrew the black nut connecting the black cable. Pull apart the 2 red plugs to disconnect the battery box from the outlet valve.

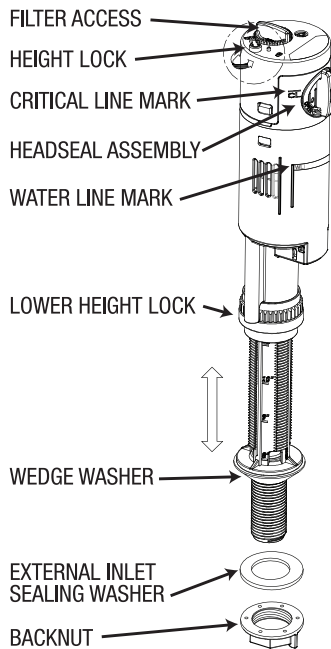
The top part of the outlet valve can easily be removed without the need to remove the flush pipe. Simply rotate the cylindrical valve until the body is released from the base.

Replace the seating washer found at the base of the valve, and make sure that the new washer is lying flat against the valve.

Reinstall the outlet valve body, and lock into position by twisting until the valve body is firmly locked into the base. Reattach black cables by connecting with the arrows pointing towards each other, then tightening the black nut and push connect the 2 red plugs. Refit cistern lid, turn on water supply and check for leaks.



MAINTENANCE - HEADSEAL WASHER REPLACEMENT (INLET VALVE)



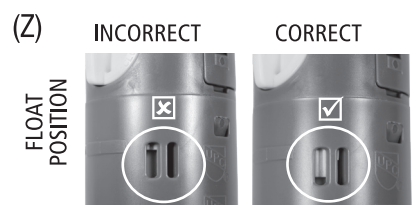
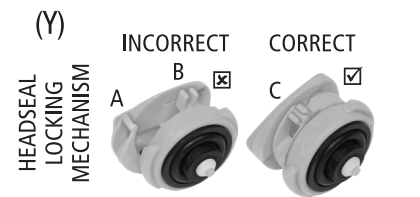
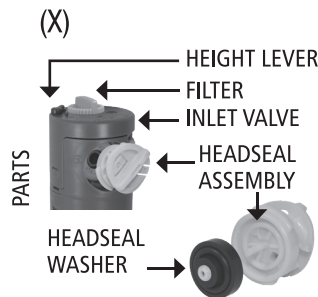
Turn off the water supply, and flush toilet until empty.

Twist the yellow headseal assembly clockwise and remove from valve. The headseal washer is the black piece of rubber on the reverse side. Pull the black headseal washer out and replace by pushing the new washer on (X).

IMPORTANT: Before reinstalling, ensure the headseal locking mechanism is joined together. Click the bar labelled 'A' into the two prongs labelled 'B' as per the image shown right (Y).

Insert the yellow headseal assembly into the inlet valve with the arrow pointing towards the point labelled 'D', then rotate anti-clockwise to tighten.

Check float position to ensure that the valve is correctly prepared (Z), check that the red height lock lever is in the locked position, then turn on water supply and check for leaks.



PRODUCT WARRANTY

The sensor outlet valve is covered by a 2 year warranty from the date of purchase. The cistern, seat and link are covered by a 7 year product warranty, with the exception of the rubber components. These rubber components, including the wedge washer, seating washer, stepped washer, headseal washer, sealing washer, and pan connector are covered by a 12 month warranty and should be replaced periodically as they wear out.

Our products come with guarantees that cannot be excluded under the Australian Consumer Law. You are entitled to a replacement or refund for a major failure and for compensation for any other loss or damage. You are also entitled to have the goods repaired if the goods fail to be of acceptable quality and the failure does not amount to a major failure.

WHAT IS COVERED: This warranty covers any defects in materials or workmanship with the exception of the reasons stated below. The warranty covers the product used in normal domestic use only. **WHAT IS NOT COVERED:** This warranty does not cover wear and tear to working parts, misuse or abuse, or discolourations due to exposure to sunlight or cleaning chemicals. The rubber components are only covered by a 12 month warranty and should be replaced periodically as they wear out. We recommend installation by a licensed plumber. Warranty may be void if the product is incorrectly installed or if the electronics components have made contact with water.

CLAIM PROCEDURE: If you believe you have a legitimate claim, contact FIX-A-TAP® Australia via our website at www.fixatap.com.au to complete the warranty claim form. Alternatively you can contact our office on (02) 9476 7400. Any written correspondence should be sent to: FIX-A-TAP® Australia Pty Ltd, Units 1-2, 41 Leighton Place, Hornsby NSW 2077. Please keep your receipt for proof of purchase. Any expenses incurred in making the claim are the responsibility of the consumer.

FIX-A-TAP®
AUSTRALIA PTY LTD
PO Box 200 Wahroonga
NSW Australia 2076
www.fixatap.com.au