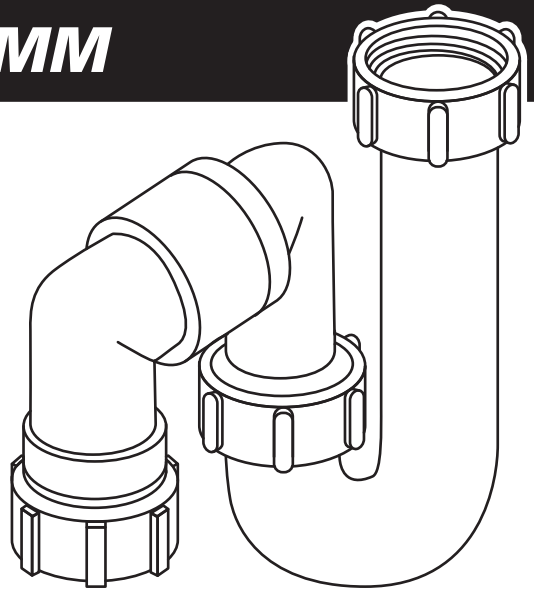


# FIX-A-TAP®



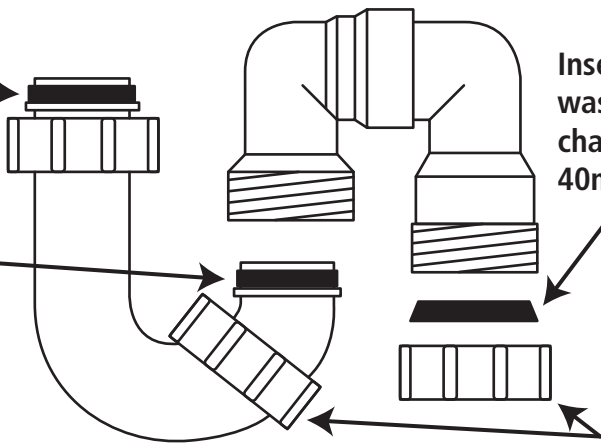
## S & P TRAP 40MM

Assemble as per diagram. Product to be installed by a licensed plumber in accordance with local, state and national building codes and regulatory standards.



## ASSEMBLY INSTRUCTIONS

Stretch square edged washers over pipe to sit flat on the shoulders



Insert the tapered washer into the chamfered end for 40mm waste pipes

Screw nuts over thread and hand tighten



For more information on recycling visit [ar1.org.au](http://ar1.org.au)



A family owned Australian business

**Quality Assured Products**  
FIX-A-TAP has been providing Australians with quality plumbing products since 1972.



**FIX-A-TAP®**  
AUSTRALIA PTY LTD  
The Ultimate Plumbing Solution  
PO Box 200 Wahroonga  
NSW Australia 2076  
[www.fixatap.com.au](http://www.fixatap.com.au)  
Made in China

