

HYGENIX ELARA TOUCHLESS RIMLESS TOILET SUITE

IMPORTANT INFORMATION

We recommend installation by a licensed plumber. Consult our Plumbers Directory online at www.fixatap.com.au/find-a-plumber or via the QR code to the right:

Ensure the backflow prevention complies with AS/NZS 3500.1 requirements. See fully labelled diagram, and read through all instructions prior to installing.



WELS Lic.: 0128,
4.5L Full flush
3.1L Half flush
3.4L Average flush
4 Stars



Do not use corrosive detergents or solvents containing chlorine or hypochlorite on the toilet suite. Using these liquids can seriously damage the toilet suite and its accessories, which may lead to leakage. Do not allow the electrical components to make contact with water as this may cause the valve to malfunction. Do not expose to hot objects.

WARNING: Risk of personal injury or product damage: Handle vitreous china products very carefully. Vitreous china can break and chip if you overtighten bolts and nuts.

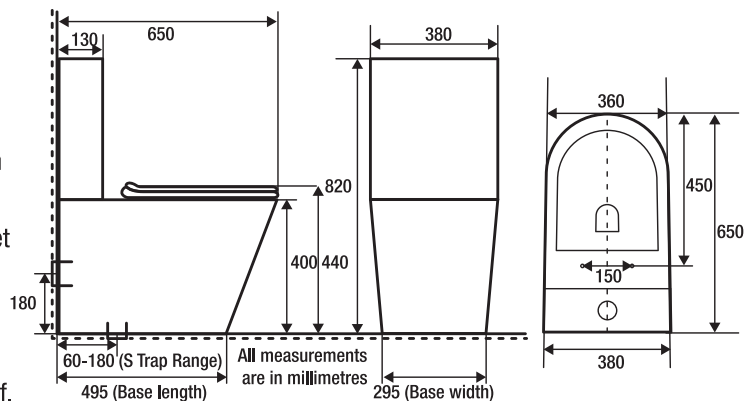
WARNING: Risk of external leakage: The fill valve has been factory tightened to design specifications. If re-tightening is required, wrench tighten one turn past finger tight.

INCLUDED COMPONENTS:

- **Pan**
- **S Trap Connector Kit** (packed with toilet pan).
Contents: 1 S connector, 1 soil pipe rubber seal, 1 outlet spigot seal, 1 wall connector, 1 wall mount, 3 screws, 3 anchors, 1 piece foam.
- **Toilet Seat & Seat Fixing Kit** (packed with toilet pan).
Contents: 1 toilet seat, 2 black rubber nuts, 2 bolts, 2 circular washers, 2 hinges, 2 rectangular washers, 2 hinge covers.
- **Cistern** (includes pre-installed inlet and outlet valves, battery box (batteries not included), sensor button on lid, and stopper for changing inlet sides if desired).
- **Pan Fixing Kit** (kit bag placed inside cistern tank).
Contents: 2 anchors, 2 mounting brackets, 2 washers, 2 mounting bracket screws, 2 bushes, 2 pan mounting screws, 2 caps.
- **Cistern Fixing Kit** (kit bag placed inside cistern tank).
Contents: 2 cistern fixing bolts, 6 flat metal washers, 2 black rubber conical washers, 4 white plastic washers, 2 hexagonal nuts, 2 wing nuts.
- **Close Coupled Seal** (placed inside cistern tank).

PRE-INSTALLATION:

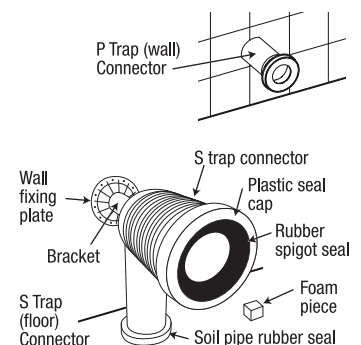
1. Before installation, please check that you have received all items listed above, and that they are undamaged.
2. Check that the toilet and set out measurements are compatible with your requirements.
3. This toilet suite comes with an S trap (floor) pan connector with a set out distance of 60-180mm. (P trap (wall) connector is not included).
4. Toilet suite is configured with bottom entry inlet valve on the right side. If required, the inlet side can be adjusted to the left side.
5. Before starting any installation, ensure the water supply is turned off.
6. Whenever possible and when safe to do so, it is recommended to carry out leak tests during the installation process.



* all measurements are subject to manufacturing tolerances

TOILET INSTALLATION:

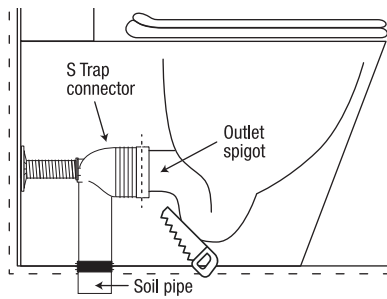
1. Depending on your bathroom setup, the soil pipe will emerge through the wall or floor. Note: Only a S Trap (floor) pan connector is included, and if used, it should be assembled as shown, with the wall fixing plate firmly connected to the wall. Wipe the foam piece (containing silicone oil) around the edge of the S trap connector ends to help lubricate. Fit the soil pipe rubber seal onto the base of the S connector, then fit the rubber spigot seal and cap onto the front.
2. Slide the bracket onto the fitting at the back of the S Trap connector, then add on the wall fixing plate with the flat side facing the wall. Fit the connector into the soil pipe, and position the bracket so that it is flush against the wall. The bracket can be cut if it is too long.



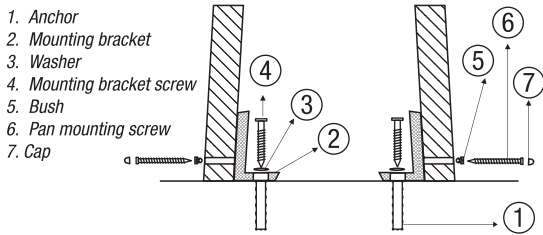
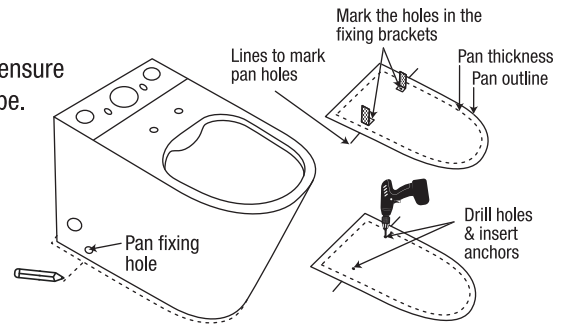
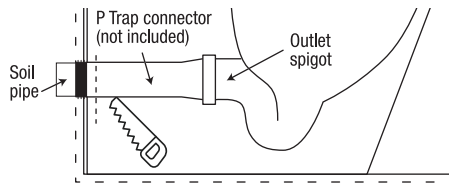
TOILET INSTALLATION (CONTINUED):

3. Mark 3 holes on the wall fixing plate, then use the pan connector anchors and screws to attach to the wall.

4. Once the pan connector is prepared, add a small amount of lubricant (such as washing up liquid) to the spigot seal, then push the toilet into the required position, with the pan connector fully connected onto the soil pipe, and pushed onto the outlet spigot. The pan connector can be cut if required to ensure a proper fit. (Note maximum cutting range marked on connector).



If fitting to a wall connection, a new P trap pan connector (sold separately) may be required to ensure the outlet spigot is firmly attached to the soil pipe.



5. Ensure that the toilet pan is level and fully backed against the wall. Trace around the outer edge of the pan using a pencil, then mark where the pan fixing holes are located on both sides.

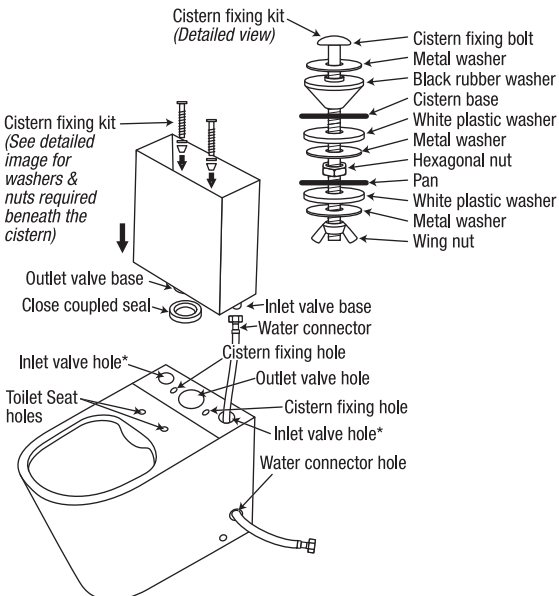
6. Remove the pan from the location and (taking into consideration the thickness of the toilet side wall), place the mounting brackets in line with the pan fixing hole, and mark the holes in the mounting brackets to ensure correct screw fixing points.

7. Drill holes in the floor and insert the anchors. Attach the mounting bracket with the washer and mounting bracket screw. Do not install the toilet pan mounting screws at this point.

8. Attach a water connector (sold separately) to the base of the inlet valve and tighten. Push the other end of the water connector through the inlet valve hole on the pan. (Note, inlet valve is supplied on the right hand side, but can be switched to the left side if more convenient for the mini cistern tap location).

9. Place the close couple seal around the base of the outlet valve (on the underside of the cistern) and position the cistern tank on the pan, ensuring that the seal remains in the correct position.

10. The cistern fixing bolts should go inside the cistern and out the bottom, then through to the cistern fixing holes on the pan, to connect the cistern and pan together. Ensure that you have added the correct washers and nuts in the order shown on the detailed Cistern Fixing Kit diagram, then tighten securely. Push the end of the water connector out of the side water connector hole.



SETTING UP THE HYGENIX TOUCHLESS FLUSH:

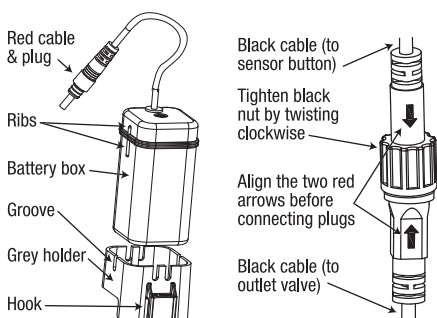
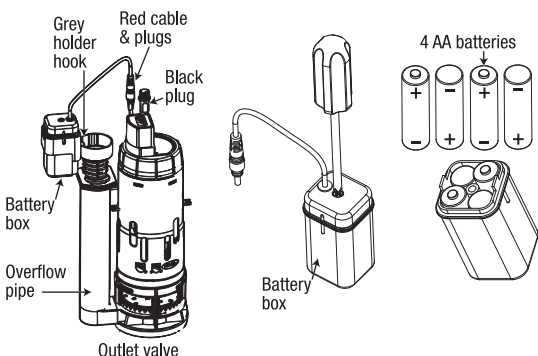
11. Within the cistern, remove the battery box from the outlet valve. Unscrew the lid of the battery box using a Phillips head screw driver. Insert 4 new high-performance AA alkaline batteries. The negative poles (-) must face the springs. Align the lid with the rib line on side of battery box, then tightly screw on the battery pack lid.

12. The battery box comes with a grey holder around the outside of the battery box. Ensure that the rib and groove line up on the holder and battery box.

13. Fix the battery box by hooking on top of the overflow pipe.

WARNING: Do not allow battery box to float in the cistern tank water. The battery box must be hooked on the overflow pipe.

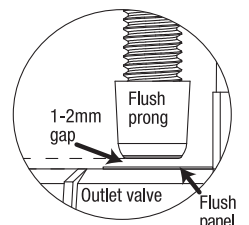
14. Tightly push the two red plugs together to connect the battery pack to the outlet valve. This will supply the power for the sensor to operate.



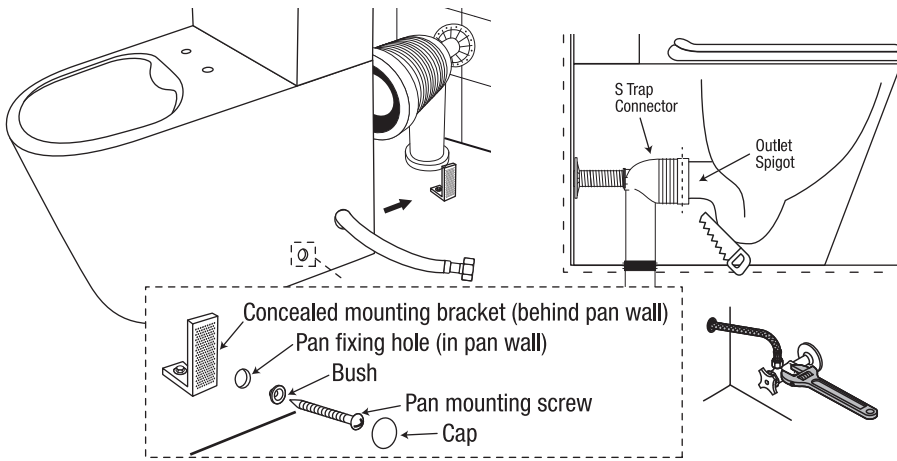
15. Connect the sensor button black cable to the black plug on the outlet valve. To securely tighten the black plugs, align the arrows on the plugs, push towards each other to connect, then tightly fasten the black nut by twisting clockwise. These need to be connected securely and the black nut must be tightly fastened. Do not pull on the cables.

16. Check that the manual flush prong is lining up with the flush panel on the outlet valve, then tighten the nut of the sensor button (underneath the lid) to keep in position. The prong should sit approximately 1-2mm above the panel.

17. Fit the cistern lid, and move the pan back into position.



TOILET INSTALLATION (CONTINUED):



18. Refit the toilet pan and push the outlet spigot onto the trap connector, (add a lubricant such as washing up liquid if required) and align the fixing holes with the floor brackets.

19. Connect water connector to the water supply (cistern mini tap), turn on the water and check for leaks.

20. Test sensor button by waving hand within 20cm of the sensor for a half flush, and holding hand above the sensor for a full flush. Test manual flush button, and again check for leaks.

21. Secure the toilet pan into position using the fixings provided, do not overtighten. Place the caps on to cover the pan fixing holes & screws.

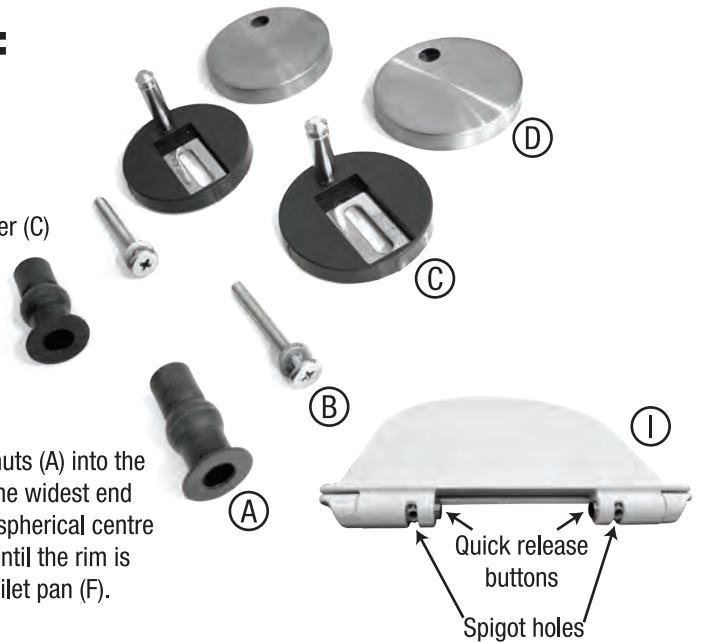
TOILET SEAT INSTALLATION INSTRUCTIONS:

To ensure this product is installed properly, please read these instructions carefully before you begin.

CAUTION: Product is fragile. To avoid breakage and possible injury, handle with care.

COMPONENTS:

- 2 x Black Rubber Nuts (A)
- 2 x Bolt & Washer (B)
- 2 x Hinges & Rectangular Washer (C)
- 2 x Covers (D)
- 1 x Toilet Seat



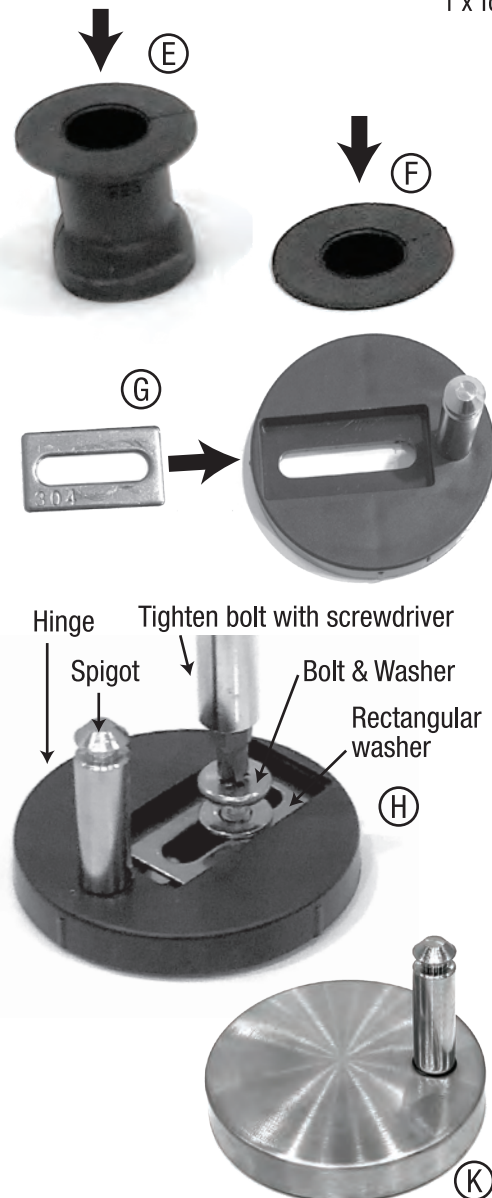
1. Place black rubber nuts (A) into the holes in the pan with the widest end upwards (E). Push the spherical centre part through the hole until the rim is lying flat against the toilet pan (F).

2. Take the hinge components (G) and place the rectangular washer into the space on the hinge (C). Place the hinge (& rectangular washer) over the rubber nut, and drop the bolt with washer through the hole in the hinge (H). Use a screwdriver to screw the bolt into the black rubber nut, but leave loose enough for the hinge to be turned to fit the seat.

3. The back of the seat shows two holes for the spigots (J). Place seat on the hinge spigots (J), close seat and adjust position so that the seat sits in the desired location on the pan. Tighten bolts using a hand held screwdriver, then carefully remove the seat by pressing on the two quick release buttons.

4. Place the metal covers (D) over the hinges (K), then push the seat onto the spigots.

5. Your seat should sit flush with the edge of the pan. To clean, remove the seat and wash with warm soapy water. Do not use bleach or a harsh chemical based detergent.



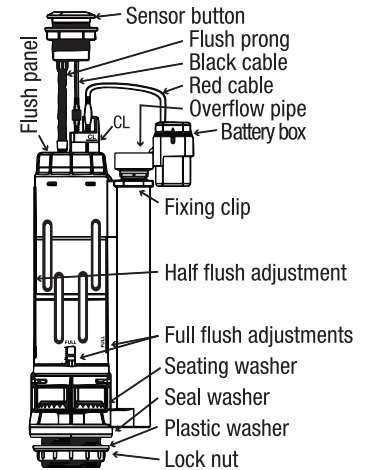
MAINTENANCE - SEATING WASHER REPLACEMENT (OUTLET VALVE):

Turn off water, flush toilet, and open the cistern lid. Unscrew the black nut connecting the black cable. Pull apart the two red plugs to disconnect the battery box from the outlet valve.

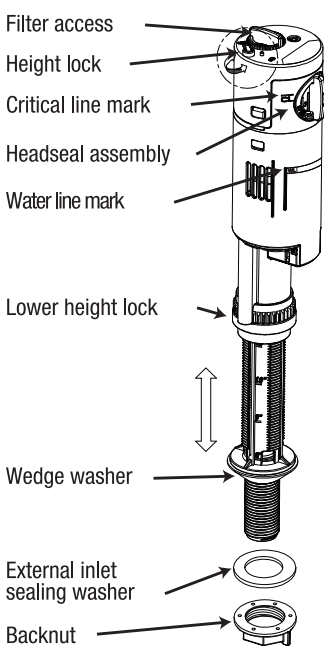
The top part of the outlet valve can easily be removed without the need to remove the flush pipe. Simply rotate the cylindrical valve until the body is released from the base.

Replace the seating washer found at the base of the valve, and make sure that the new washer is lying flat against the valve.

Reinstall the outlet valve body, and lock into position by twisting until the valve body is firmly locked into the base. Reattach black cables by connecting with the arrows pointing towards each other, then tightening the black nut and push connect the two red plugs. Refit cistern lid, turn on water supply and check for leaks.



MAINTENANCE - HEADSEAL WASHER REPLACEMENT (INLET VALVE):



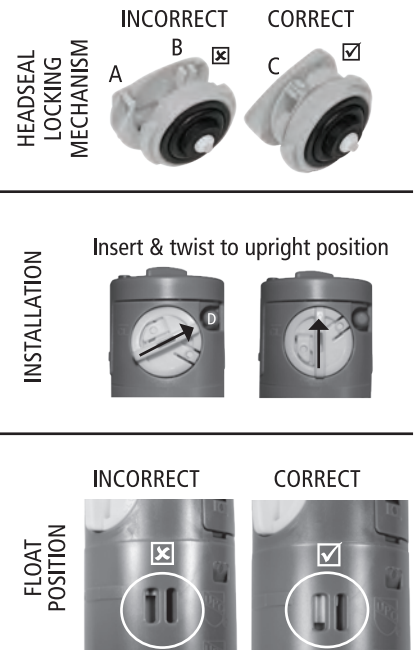
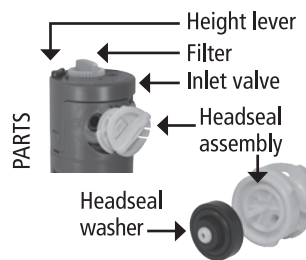
Turn off the water supply, remove cistern lid and flush toilet until empty.

Twist the yellow headseal assembly clockwise and remove from valve. The headseal washer is the black piece of rubber on the reverse side. Pull the black headseal washer out and replace by pushing the new washer on.

IMPORTANT: Before reinstalling, ensure the headseal locking mechanism is joined together. Click the bar labelled 'A' into the two prongs labelled 'B' as per the image shown right.

Insert the yellow headseal assembly into the inlet valve with the arrow pointing towards the point labelled 'D', then rotate anti-clockwise to tighten.

Check float position to ensure that the valve is correctly prepared, check that the red height lock lever is in the locked position, then turn on water supply and check for leaks.



PRODUCT WARRANTY:

The sensor outlet valve is covered by a two year warranty from the date of purchase. Parts and labour are covered by a one year warranty. The rubber components, including the wedge washer, seating washer, stepped washer, headseal washer, sealing washer, and pan connector are covered by a 12 month warranty and should be replaced periodically as they wear out. The remainder of the cistern, seat and pan are covered by a ten year warranty.

Our products come with guarantees that cannot be excluded under the Australian Consumer Law. You are entitled to a replacement or refund for a major failure and for compensation for any other loss or damage. You are also entitled to have the goods repaired if the goods fail to be of acceptable quality and the failure does not amount to a major failure.

WHAT IS COVERED: This warranty covers any defects in materials or workmanship with the exception of the reasons stated below. The warranty covers the product used in normal domestic use only. **WHAT IS NOT COVERED:** This warranty does not cover wear and tear to working parts, misuse or abuse, or discolourations due to exposure to sunlight or cleaning chemicals. The rubber components are only covered by a twelve month warranty and should be replaced periodically as they wear out. We recommend installation by a licensed plumber. Warranty may be void if the product is incorrectly installed or if the electronics components have made contact with water.

CLAIM PROCEDURE: If you believe you have a legitimate claim, contact FIX-A-TAP® Australia via our website at www.fixatap.com.au to complete the warranty claim form. Alternatively you can contact our office on (02) 9476 7400. Any written correspondence should be sent to: FIX-A-TAP® Australia Pty Ltd, Units 1-2, 41 Leighton Place, Hornsby NSW 2077. Please keep your receipt for proof of purchase. Any expenses incurred in making the claim are the responsibility of the consumer.