

FIX-A-LOO®

Series 250 CISTERN OUTLET VALVE

INSTALLATION INSTRUCTIONS

We recommend installation by a licensed plumber. Ensure that the backflow prevention complies with AS/NZS 3500.1 requirements.

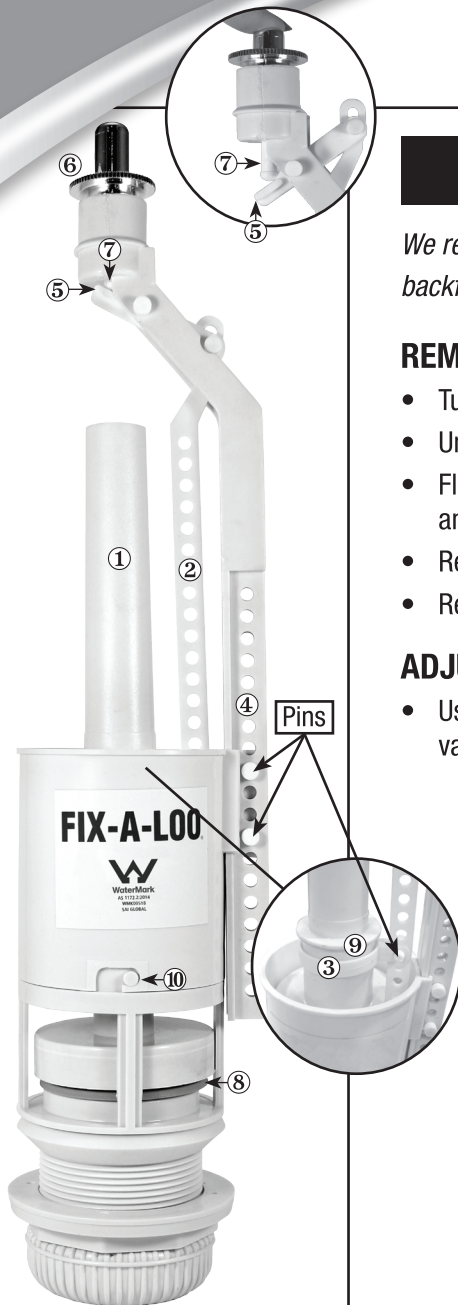
WaterMark
AS 1172.2:2014
WMK00518
SAI GLOBAL

REMOVE YOUR OLD VALVE

- Turn off water at cistern tap.
- Unscrew button flange to remove lid and take note of your cisterns water level (WL).
- Flush cistern until empty, and place a bucket underneath the outlet, as a small amount of water will remain in the cistern.
- Remove flushpipe by unscrewing the flushpipe nut.
- Remove the existing outlet valve by unscrewing the back nut at bottom of cistern.

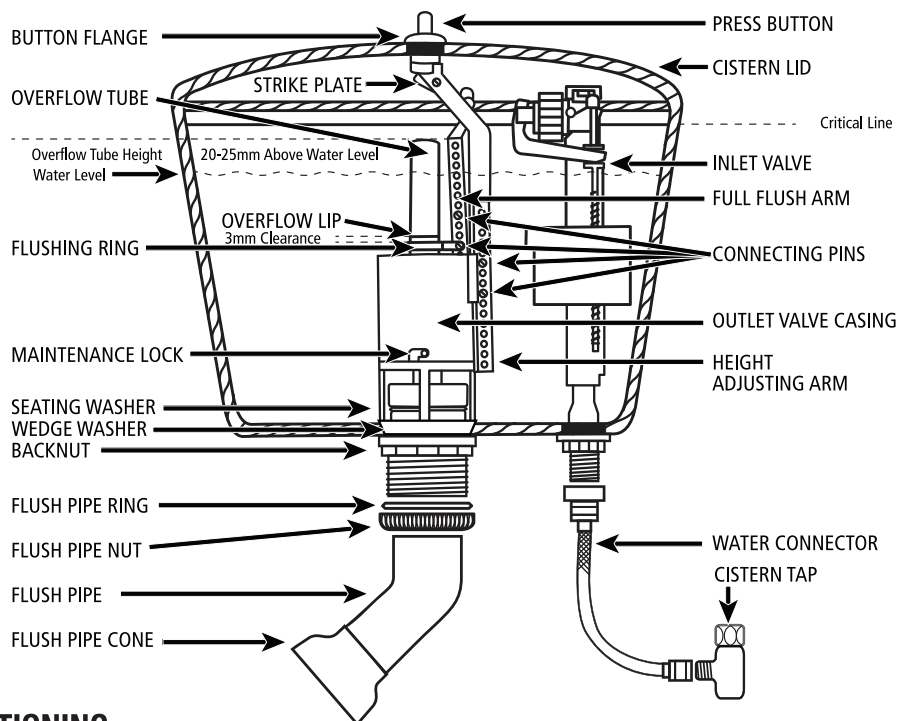
ADJUST THE HEIGHT OF THE OVERFLOW TUBE

- Using a small tooth saw, cut the Overflow Tube ① to the same height as your old valve OR cut the Overflow Tube approximately 20-25mm above the water level.



- ① Overflow Tube
- ② Flushing Arm
- ③ Flushing Ring
- ④ Height Adjusting Arm
- ⑤ Strike Plate
- ⑥ Press Button & Flange
- ⑦ Button Rod
- ⑧ Seating Washer
- ⑨ Overflow Tube Lip
- ⑩ Maintenance Lock

FIX-A-TAP®
AUSTRALIA PTY LTD
The Ultimate Plumbing Solution
PO Box 200 Wahroonga
NSW Australia 2076
www.fixatap.com.au



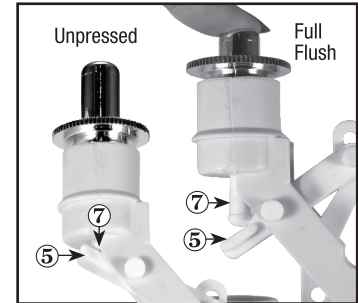
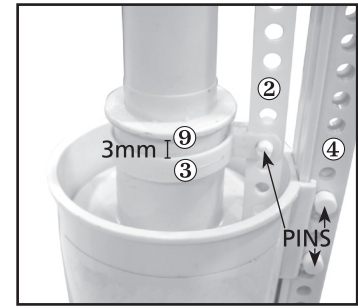
POSITIONING

- Remove the Series 250 flange by unscrewing anti-clockwise.
- Remove the flush pipe nut and ring, and the backnut.
- Position the outlet valve inside the cistern so that the button fits through the cistern lid. The wedge washer fits inside the cistern, narrow end pointing downwards.
- Some height adjustments may be required due to the fact that not all toilets are made the same. Shallow or shorter than normal cisterns require the most adjusting.

Installation instructions continued overleaf

ADJUSTING THE HEIGHT OF THE VALVE

- Remove the two pins from the Height Adjusting Arm ④ adjust the height to fit the cistern, then replace pins in new position.
- Whenever the Height Adjusting Arm ④ is moved up or down it is important that the Flushing Arm ② is also adjusted.
- Ensure that the distance between the bottom of the Button Rod ⑦ and the top of the Strike Plate ⑤ is minimal, i.e they should be lightly touching each other in resting position and the Strike Plate should be easily pushed down when the button is pressed.
- Ensure that the Flushing Ring ③ sits 3mm below the Overflow Tube Lip ⑨. You can adjust the height of the Flushing Ring ③ by removing the pin that connects it to the Flushing Arm ②. Adjust to fit, and reattach the pin in the new position.
- If needed, cut the lower end of the Flushing Arm ② with a fine tooth saw, at a point 2-3 holes below the Flushing Ring ③.



FINISHING UP

- With the Series 250 replacement outlet valve installed inside the cistern, attach the lid, the button flange, fasten the hexagonal back nut, reposition the flush pipe and attach the flush pipe ring and nut.
- Turn water on until cistern fills. Check the water level, flush the cistern and check for leaks.

TROUBLESHOOTING

- If short flushing; check that the Flushing Ring ③, Strike Plate ⑤ and the height of the valve are aligned correctly as described above.
- If water is running into the pan; check that the Seating Washer ⑧ (*shown on previous page*) and its housing are making direct contact with the base of the cistern. Further adjustment of the Flushing Arm ② may be required.

MAINTENANCE AND SPARE PARTS

- The wedge washer, flush pipe ring and seating washer only have a 12 month warranty and should be replaced periodically as they wear out. To replace the Series 250 Outlet Valve seating washer, turn off water, flush toilet, open the cistern, and rotate the cylindrical valve casing in an anti-clockwise direction to unlock the Maintenance Lock ⑩ (*shown on previous page*). The top part of the outlet valve can then be removed. Replace the seating washer, then reinstall and lock into position by turning in a clockwise direction.
- FIX-A-LOO Series 250 & 500 Seating Washer (Product #233141), Wedge Washer (#206398) & Flush Pipe Ring (#208484).

12 YEAR PRODUCT WARRANTY

This warranty runs for twelve years from the date of purchase.

Our products come with guarantees that cannot be excluded under the Australian Consumer Law. You are entitled to a replacement or refund for a major failure and for compensation for any other loss or damage. You are also entitled to have the goods repaired if the goods fail to be of acceptable quality and the failure does not amount to a major failure.

WHAT IS COVERED: This warranty covers any defects in materials or workmanship with the exception of the reasons stated below. The warranty covers the product used in normal domestic use only.

WHAT IS NOT COVERED: This warranty does not cover wear and tear to working parts, misuse or abuse, or discolourations due to exposure to sunlight or cleaning chemicals. The warranty does not cover the wedge washer (replacement part #206398), the flush pipe ring (#208484), or the seating washer (#233141). We recommend installation by a licensed plumber. Warranty may be void if the product is incorrectly installed.

CLAIM PROCEDURE: If you believe that you have a legitimate claim, please contact FIX-A-TAP® Australia via our website at www.fixatap.com.au to complete the warranty claim form. Alternatively you can contact our office on (02) 9476 7400. Any written correspondence should be sent to: FIX-A-TAP® Australia Pty Ltd, Units 1-2, 41 Leighton Place, Hornsby NSW 2077. Please keep your receipt for proof of purchase. Any expenses incurred in making the claim will be the responsibility of the consumer.