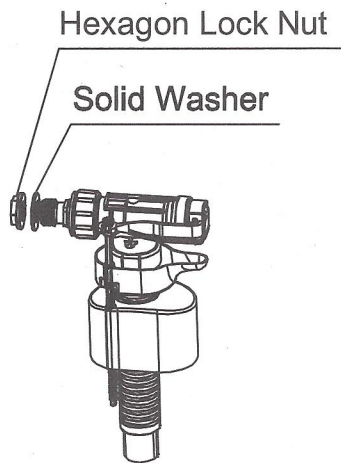
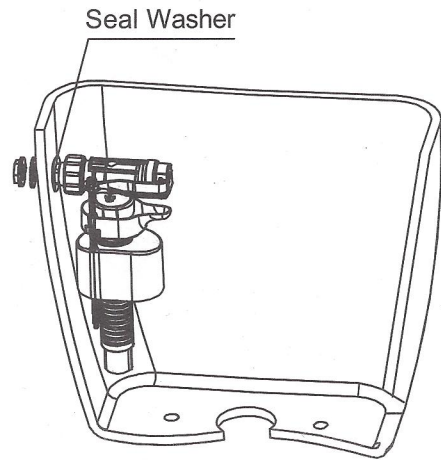


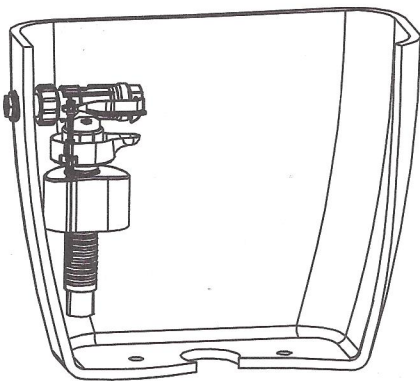
Installation Illustration of NJ313



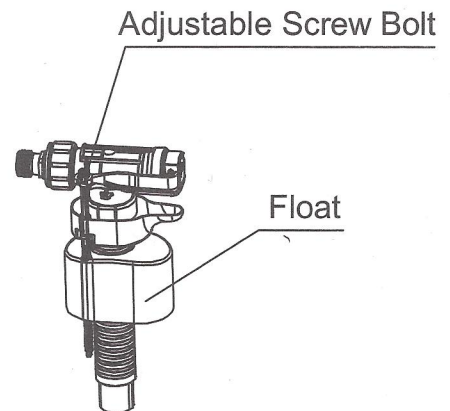
Unscrew the hexagon lock nut and solid washer from the thread of fill valve.



Insert the fill valve with seal washer into side inlet hole of the toilet vertically. And assure the seal washer is attached to the tank's surface, then nest the solid washer and the hexagon lock nut into the fill valve, connector from outer tank.



Tighten the hexagon lock nut is subjected to no interference among the tank and fittings. Turn on water to clean the water supply pipe and connect the water supply pipe with the fill valve.



Screw the adjustable screw bolt to adjust the water level. Then turn on the water supply pipe to check and see whether the fill valve can be operated normally.